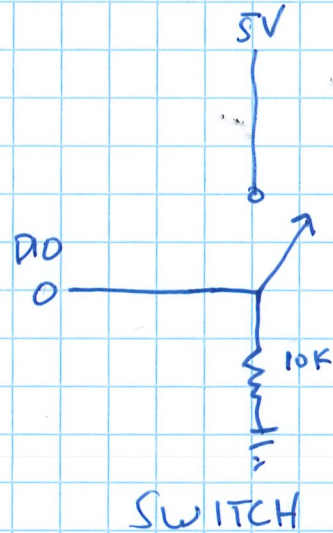
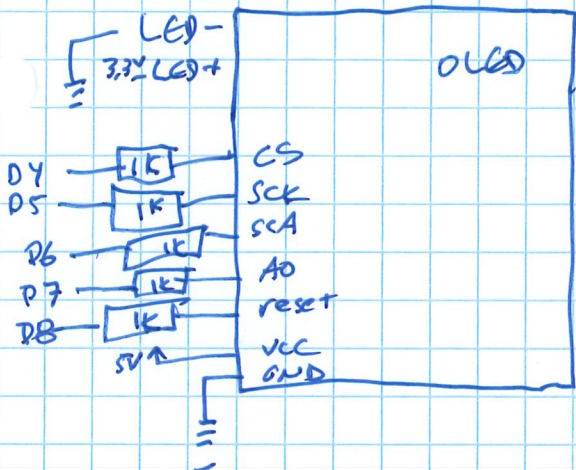
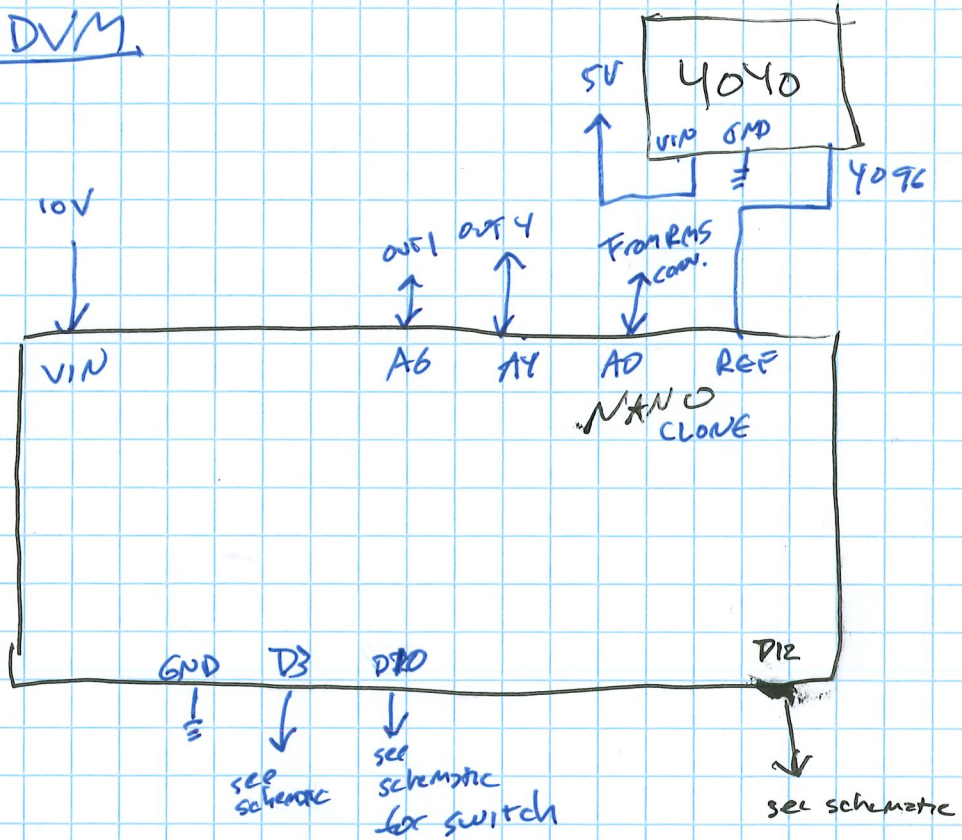
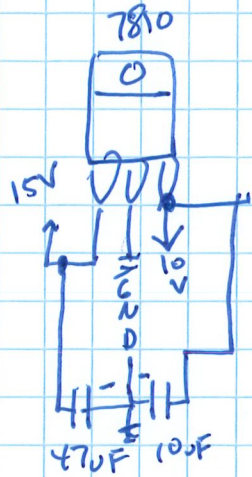
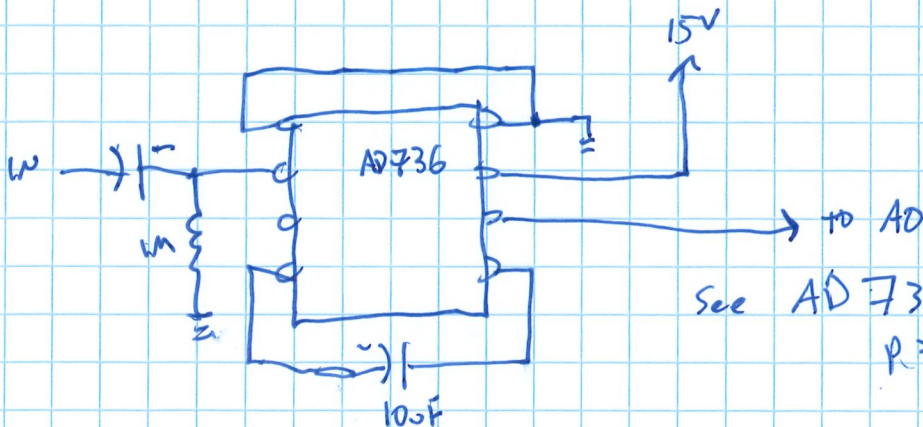


SYNTH DVM

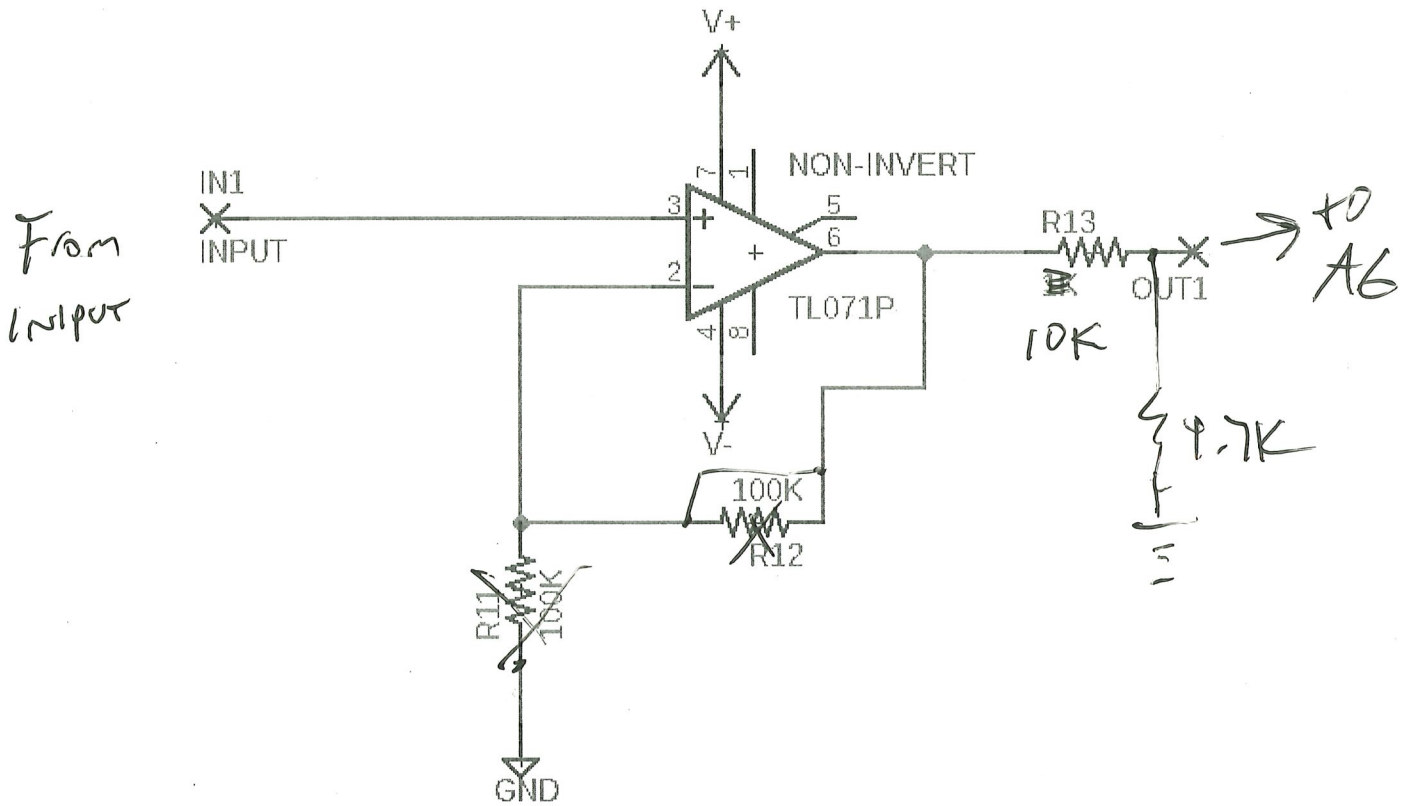
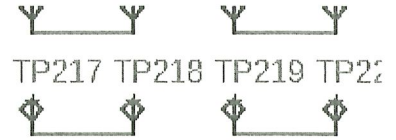


RMS CONVERTER



See AD736 "application note"
page 13

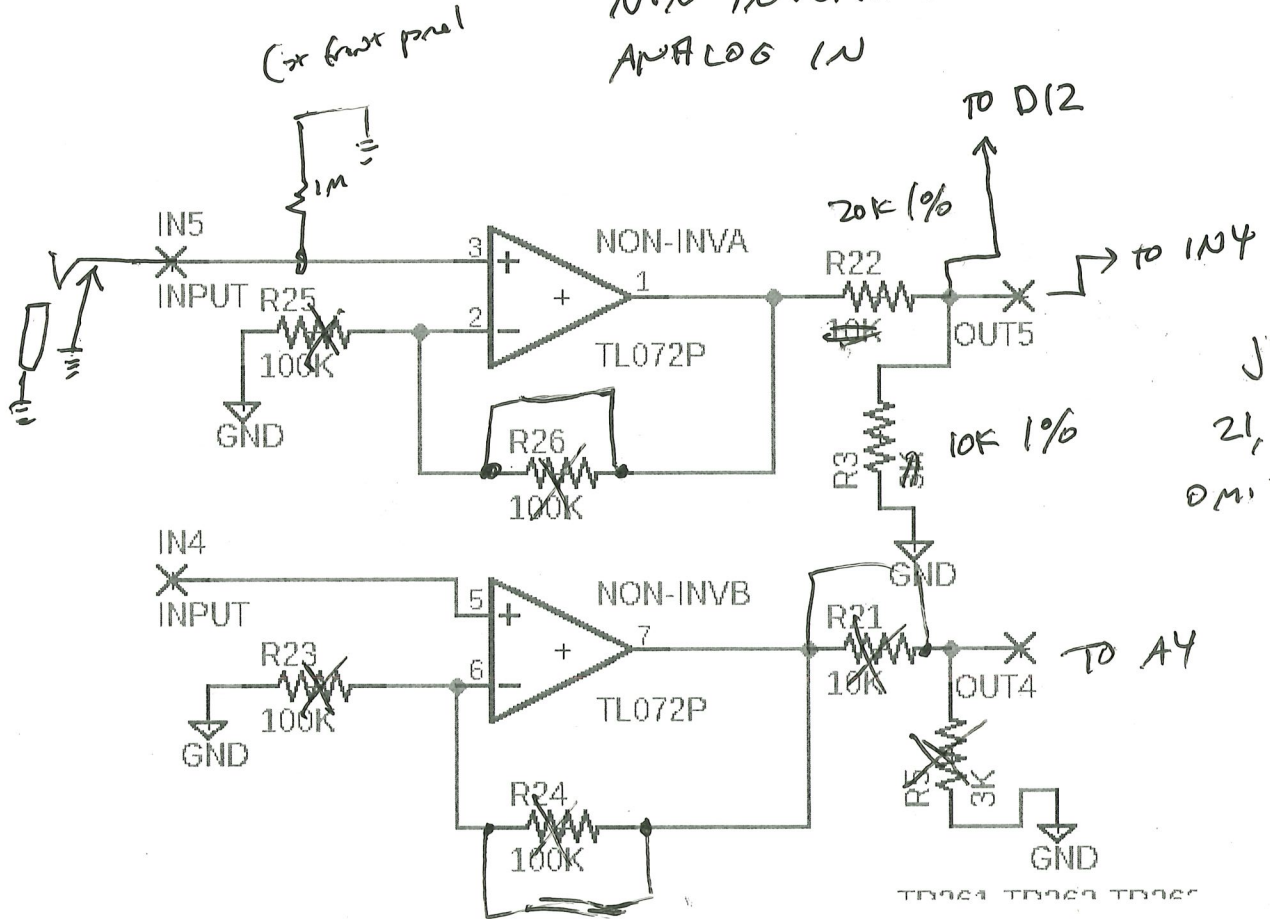
SYNTH DVM Polarity



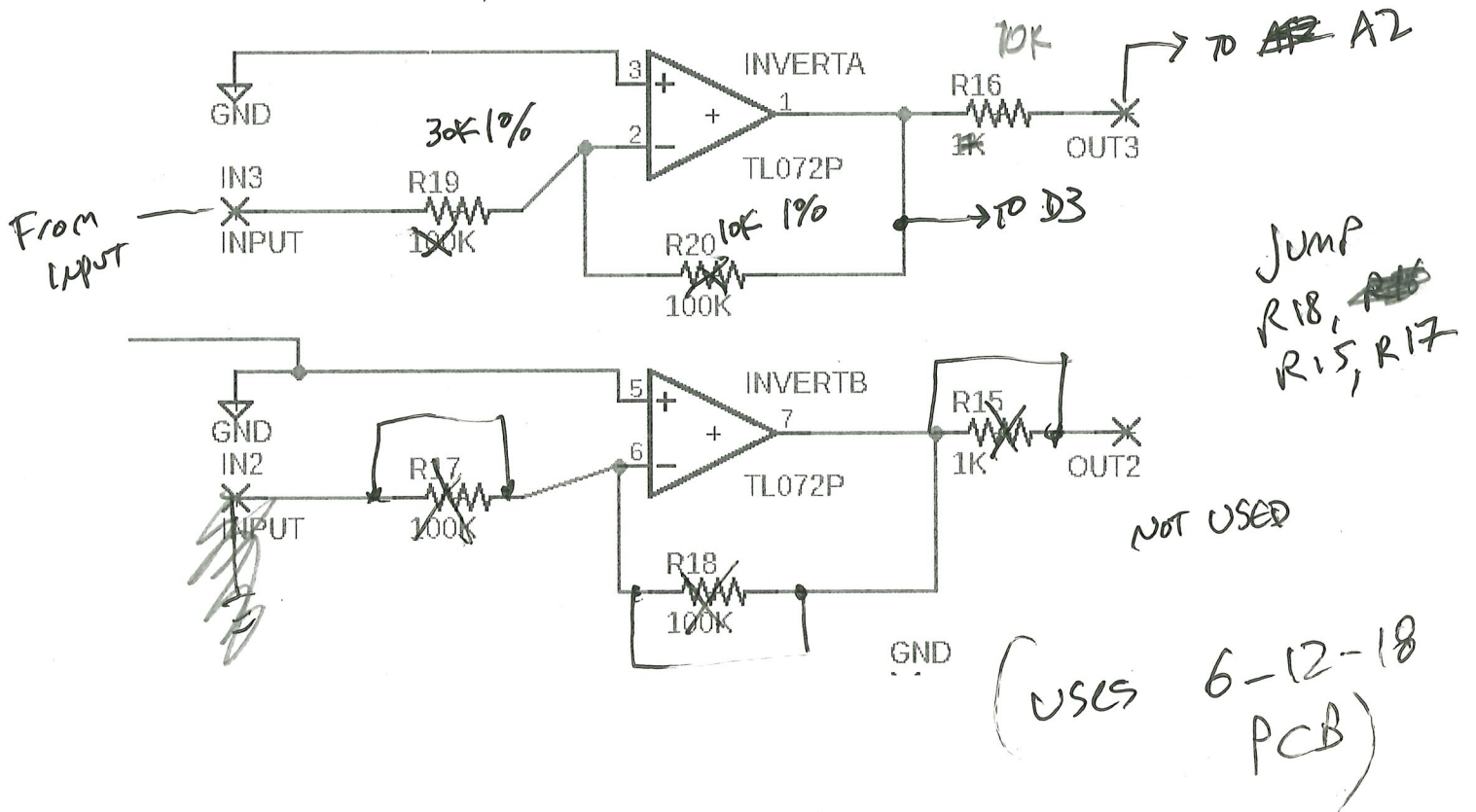
Omit R11
Jump R12

(uses 6-12-18
PCB)

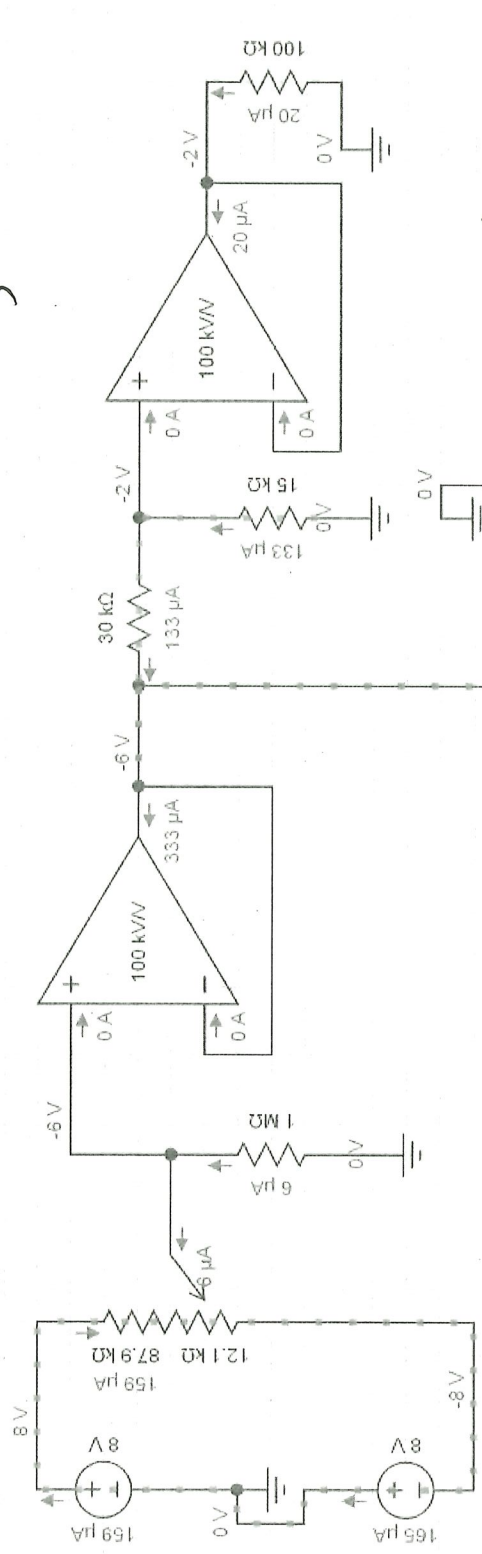
SYNTH DVM
NON INVERTING
ANALOG IN



SYNTH DVM INVERTING ANALOG IN



1/0 4



1/0 5

1/0 3

