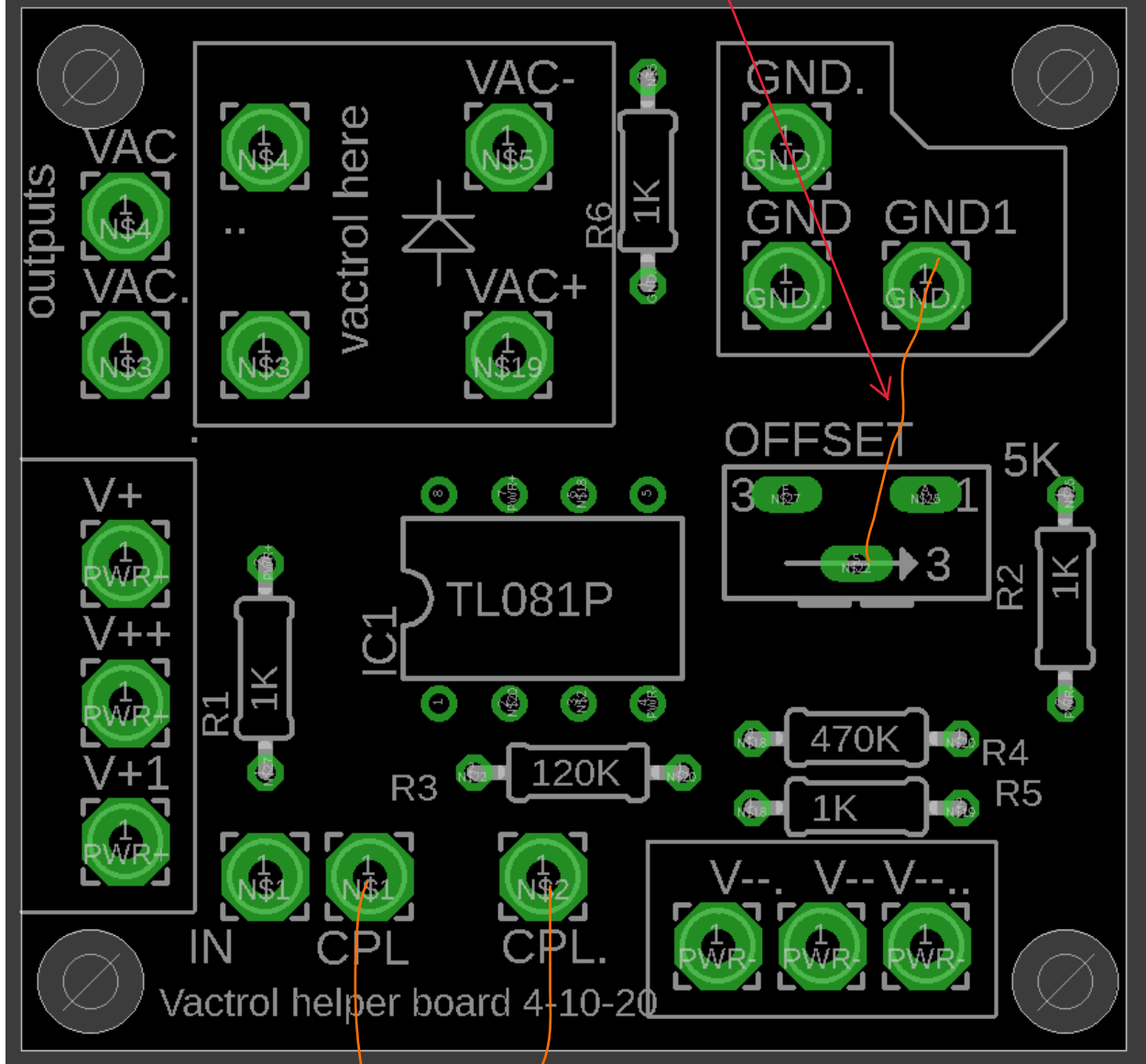


WIRING SUGGESTIONS

jump Offset3 to GND or use offset trim



jumper CPL or use approx 1uF cap to cap couple